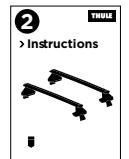
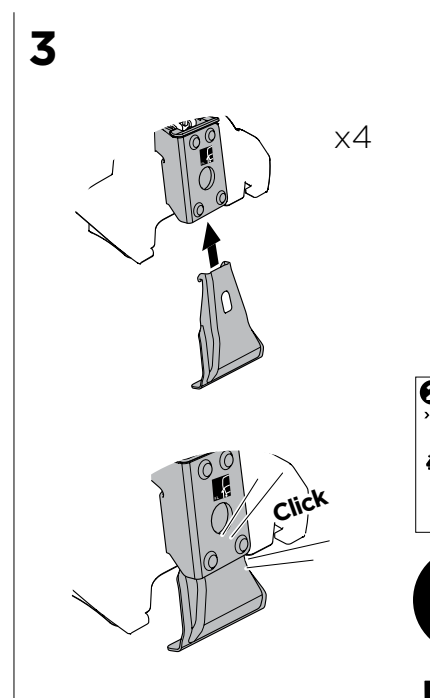
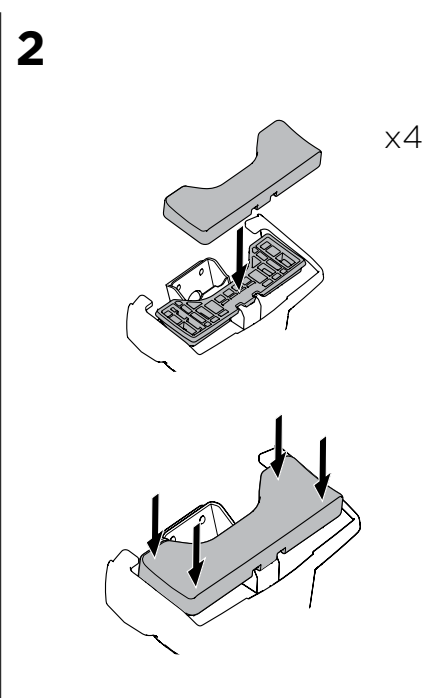
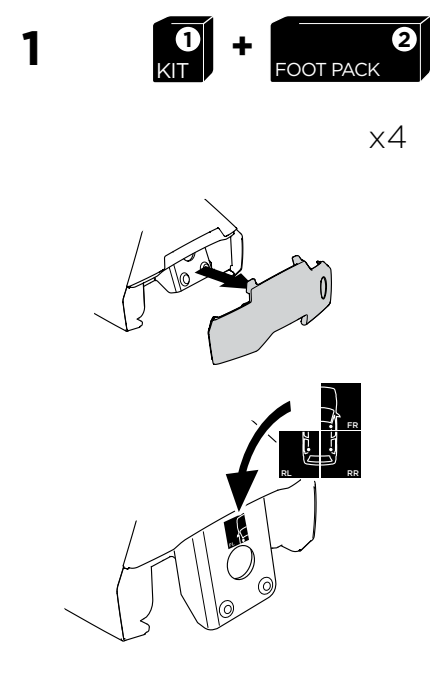
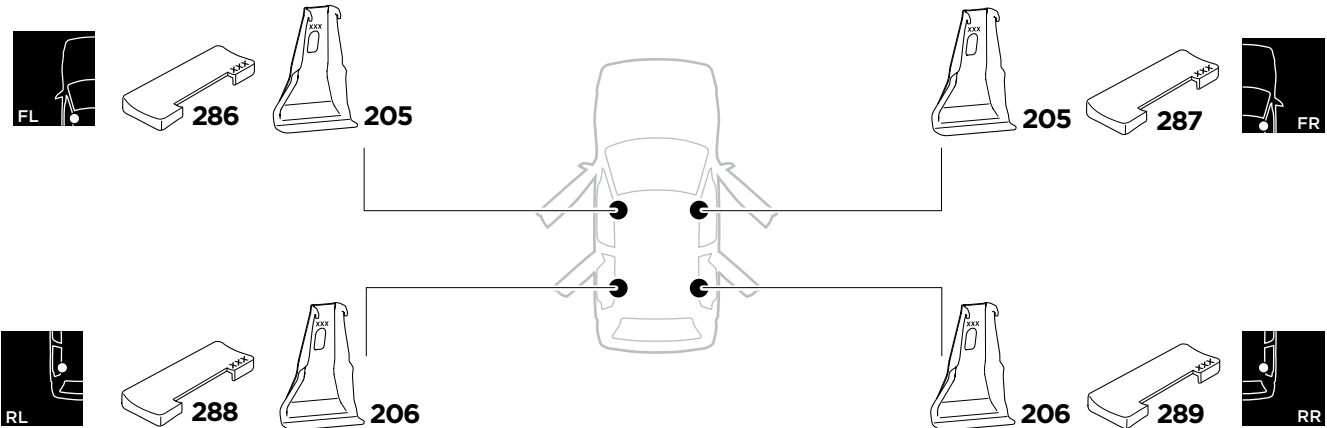
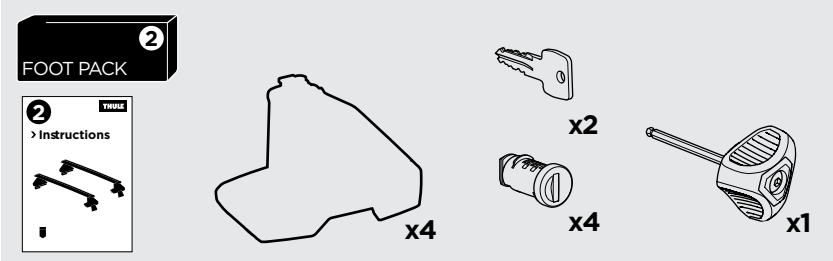
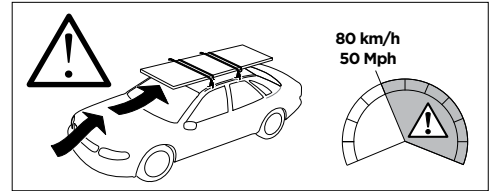
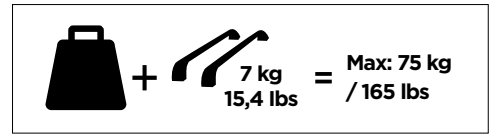
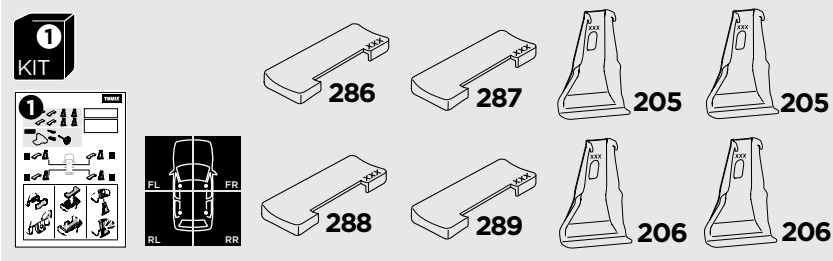


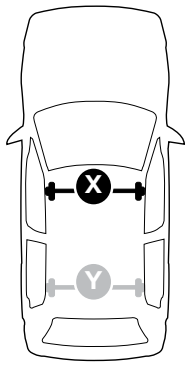
# 1

## Kit 5089

FORD Focus (Mk. III), 5-dr Hatchback, 11-18

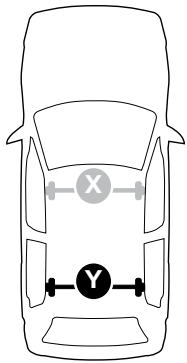
ISO 11154-E





THULE WingBar Evo	THULE WingBar Edge	THULE WingBar	THULE SquareBar	<b>Evo X (scale)</b>	<b>Edge X (scale)</b>
<b>FORD Focus (Mk. III), 5-dr Hatchback, 11-18</b>				<b>39,5</b>	<b>R</b>

THULE ProBar	THULE SlideBar	<b>X (mm/inch)</b>		
<b>FORD Focus (Mk. III), 5-dr Hatchback, 11-18</b>		<b>1046 mm / 41 1/8"</b>		



THULE WingBar Evo	THULE WingBar Edge	THULE WingBar	THULE SquareBar	<b>Evo Y (scale)</b>	<b>Edge Y (scale)</b>
<b>FORD Focus (Mk. III), 5-dr Hatchback, 11-18</b>				<b>34</b>	<b>K</b>

THULE ProBar	THULE SlideBar	<b>Y (mm/inch)</b>		
<b>FORD Focus (Mk. III), 5-dr Hatchback, 11-18</b>		<b>991 mm / 39 "</b>		

	<b>W (mm/inch)</b>	<b>Z (mm/inch)</b>
<b>FORD Focus (Mk. III), 5-dr Hatchback, 11-18</b>	<b>785 mm / 0 9/16"</b>	<b>250 mm / 9 7/8"</b>

